

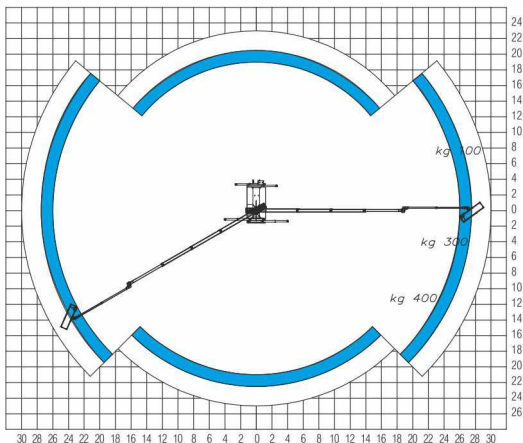
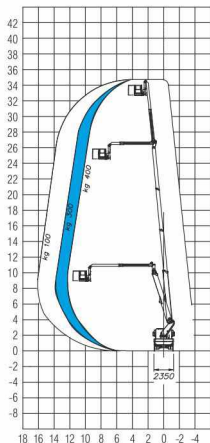
socage.it



for Ste
35TJ

SOCAGE





18 TON

for Site
35TJ



35,00 m



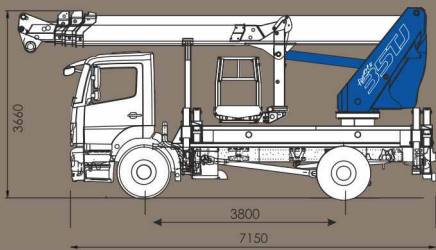
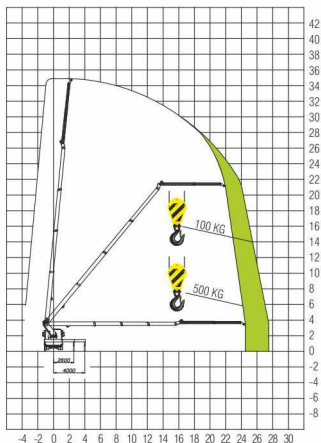
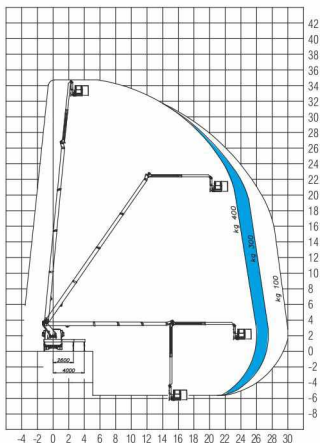
33,00 m



30,00 m



400 kg



220x320x90x110



500 kg



700°



aluminium



360°



electro



HE+HE